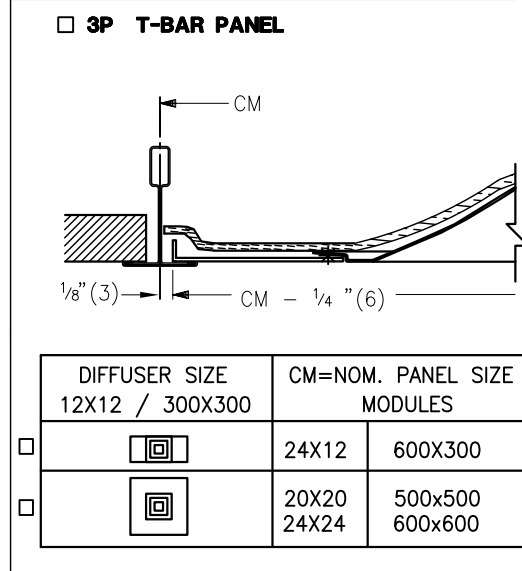
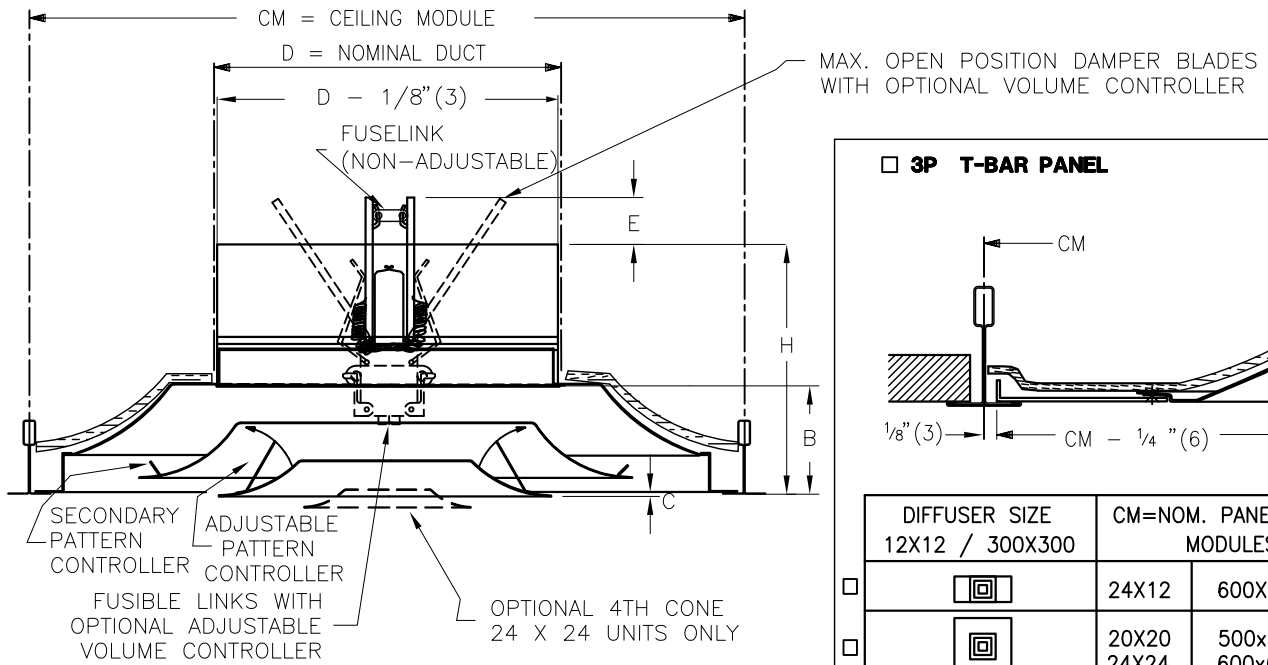


**SCDA-FR SQUARE CONE DIFFUSER FIRE RATED ASSEMBLY**



**IMPERIAL UNITS (Inches)**

	CM	B(MAX)	C(MAX)	H(MAX)	DUCT SIZE
<input type="checkbox"/>	24x24	3 <sup>3</sup> / <sub>4</sub>	1 <sup>1</sup> / <sub>8</sub>	7 <sup>13</sup> / <sub>16</sub>	6,8,10,12,14,15*
<input type="checkbox"/>	20X20	2 <sup>7</sup> / <sub>8</sub>	-	6 <sup>15</sup> / <sub>16</sub>	6*,8*,10*
<input type="checkbox"/>	12x12	1 <sup>3</sup> / <sub>4</sub>	5 <sup>7</sup> / <sub>8</sub>	5 <sup>7</sup> / <sub>8</sub>	5,6,7,8*

**SI UNITS (mm)**

	CM	B(MAX)	C(MAX)	H(MAX)	DUCT SIZE
<input type="checkbox"/>	600x600	95	3	198	152,203,254,305,356,381*
<input type="checkbox"/>	500x500	73	-	176	152*, 203*, 254*
<input type="checkbox"/>	300x300	44	16	149	127,152,178,203*

ROUND NECK	
NOM. DUCT	E
5 (127)	1/2 (13)
6 (152)	1 (25)
7 (178)	1 1/2 (51)
8 (203)	2 (51)
10 (254)	3 (76)
12 (305)	4 (102)
14 (356)	5 (127)
15 (381)	5 1/2 (140)

**MATERIAL:**

- STEEL CONSTRUCTION
- CEILING RADIATION DAMPER: GALVANIZED STEEL, BUTTERFLY TYPE
- THERMAL BLANKET: NON ASBESTOS

**FINISH:**

- B12 WHITE (OPTIONAL FINISHES AVAILABLE)

**OPTION:**

- ADJUSTABLE VOLUME CONTROLLER (ALLEN KEY ADJUSTABLE)
- 165°F (74°C) FUSIBLE LINK (STANDARD)
- 212°F (100°C) FUSIBLE LINK

**NOTE:**

- SECONDARY PATTERN CONTROLLERS WILL BE SUPPLIED ON UNITS INDICATED WITH ( \* )
- B, C & H DIMENSIONS VARY DEPENDING ON NECK SIZE.
- FIRE RATED 3 HOUR.
- UL CLASSIFIED FIRE RATED CEILING DIFFUSER ASSEMBLY. LISTED IN UNDERWRITERS LABORATORIES FIRE RESISTANCE DIRECTORY.
- ULC CLASSIFIED FIRE RATED CEILING DIFFUSER ASSEMBLY. LISTED IN UNDERWRITERS OF CANADA LABORATORIES LIST OF EQUIPMENT AND MATERIALS.
- DUCT: STEEL OR FLEX DUCT CONNECTIONS (BY OTHERS) AS PER FIRE RATED DESIGN REQUIREMENTS.
- INSTALLATION INSTRUCTIONS: 228791 OR FOR PANEL SEE SUBMITTAL 233667
- FIRE RATED DIFFUSERS ARE TO BE INSTALLED IN FIRE RATED T-BAR APPLICATIONS ONLY.

ALL METRIC DIMENSIONS ( ) ARE SOFT CONVERTED. IMPERIAL DIMENSIONS ARE CONVERTED TO METRIC AND ROUNDED TO THE NEAREST MILLIMETER.



<b>PROJECT:</b>		<b>PRICE®</b>	
<b>ENGINEER:</b>			
<b>CUSTOMER:</b>		228720	<b>SCDA-FR</b> SQUARE CONE DIFFUSER FIRE RATED ASSEMBLY
<b>SUBMITTAL DATE:</b>	<b>SPEC. SYMBOL:</b>	2015/03/31	